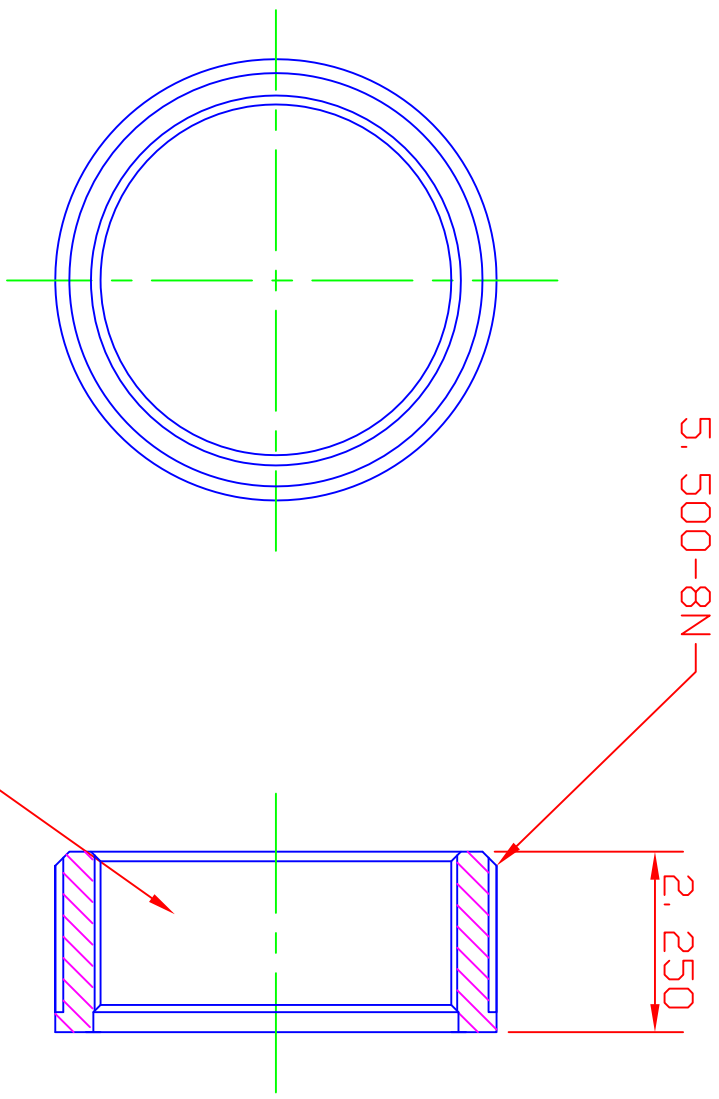


TUBE COLLAR	NONE
DESCRIPTION	PART NO.
4-9-03	A106 STEEL
DATE	MATERIAL



PROPRIETARY DATA

THE INFORMATION OR DATA CONTAINED HEREIN IS PROPERTY OF WESTERN VALVE, INC. AND IS NOT TO BE COPIED, REPRODUCED, DUPLICATED OR DISCLOSED TO OTHERS, IN WHOLE OR IN PART WITHOUT THE PRIOR WRITTEN CONSENT OF WESTERN VALVE, INC.

4500-TUBECOLLAR
DRAWING NO.

WESTERN VALVE